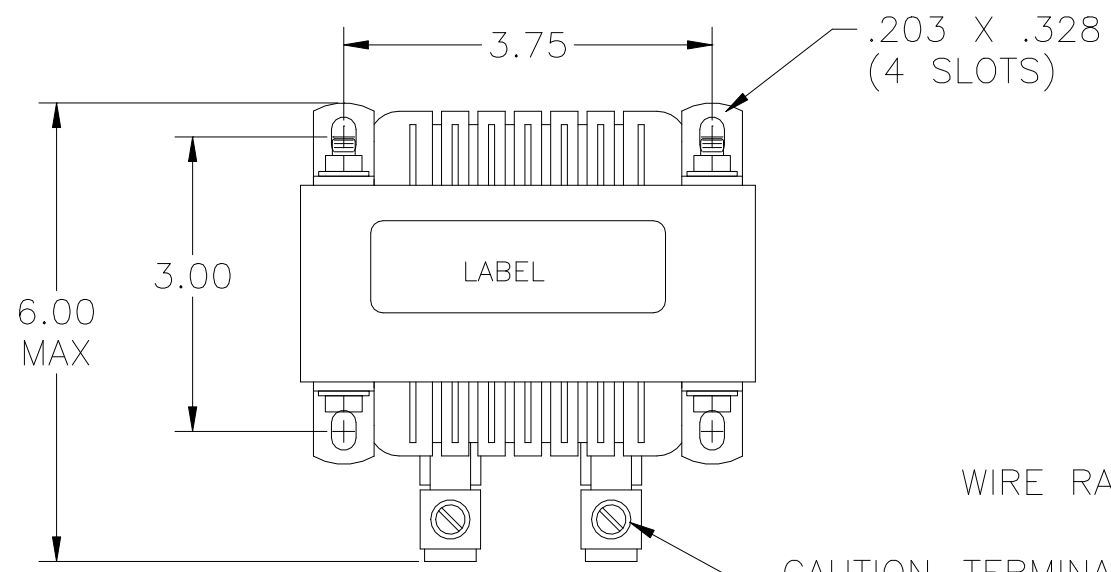


|            |          |        |
|------------|----------|--------|
| INDUCTANCE | LOSSES   | WEIGHT |
| 0.11 mH    | 18 Watts | 10 Lbs |

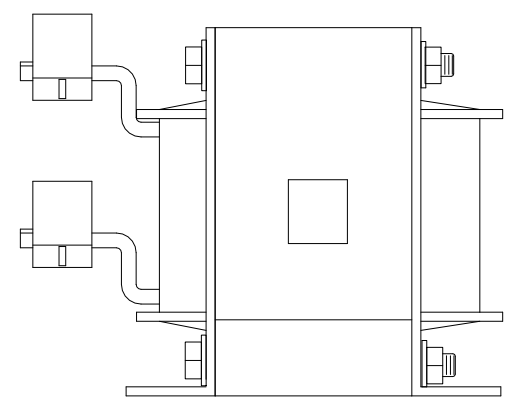
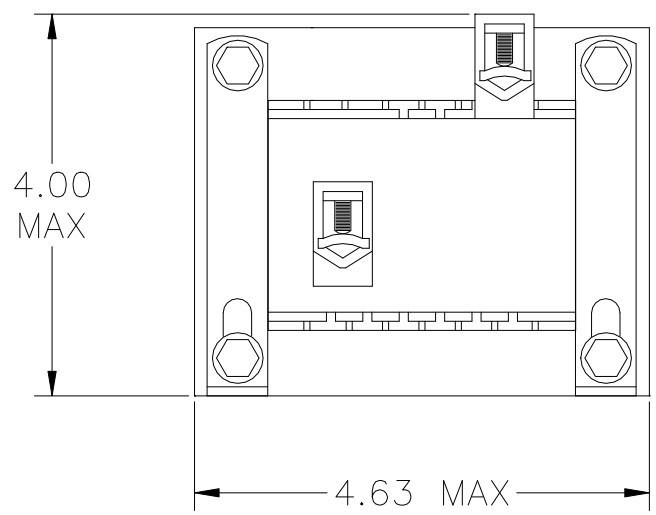
| NO. | CHANGE DESCRIPTION             | BY | DATE    | C'K'D |
|-----|--------------------------------|----|---------|-------|
| 03  | REVISED PER ECR 7175, ADDED CD | RS | 8/23/10 |       |

FILE:



WIRE RANGE: 6-0 AWG

CAUTION-TERMINAL SCREW TIGHTENING  
 TORQUE: 6-4 (45) in-lb MAX.  
 2-0 (50) in-lb MAX.



UNLESS OTHERWISE SPECIFIED, DIMENSIONS ARE IN INCHES [mm] AND TOLERANCES ARE:

DECI.                      FRAC.  
  
 ANGLES                      DRILLED HOLES

|              |                   |
|--------------|-------------------|
| PART NAME:   | DC LINK CHOKE     |
| DESCRIPTION: | OUTLINE DIMENSION |
| FINISH:      |                   |

|   |        |               |            |
|---|--------|---------------|------------|
| MTE CORPORATION<br>MENOMONEE FALLS, WISCONSIN |        |               |            |
| CD 125RB001                                   |        |               | REV.<br>03 |
| SCALE   | NTS    | DATE 12/31/98 | C'K'D      |
| REF.  | DR. BY | CHL           | APP'D      |